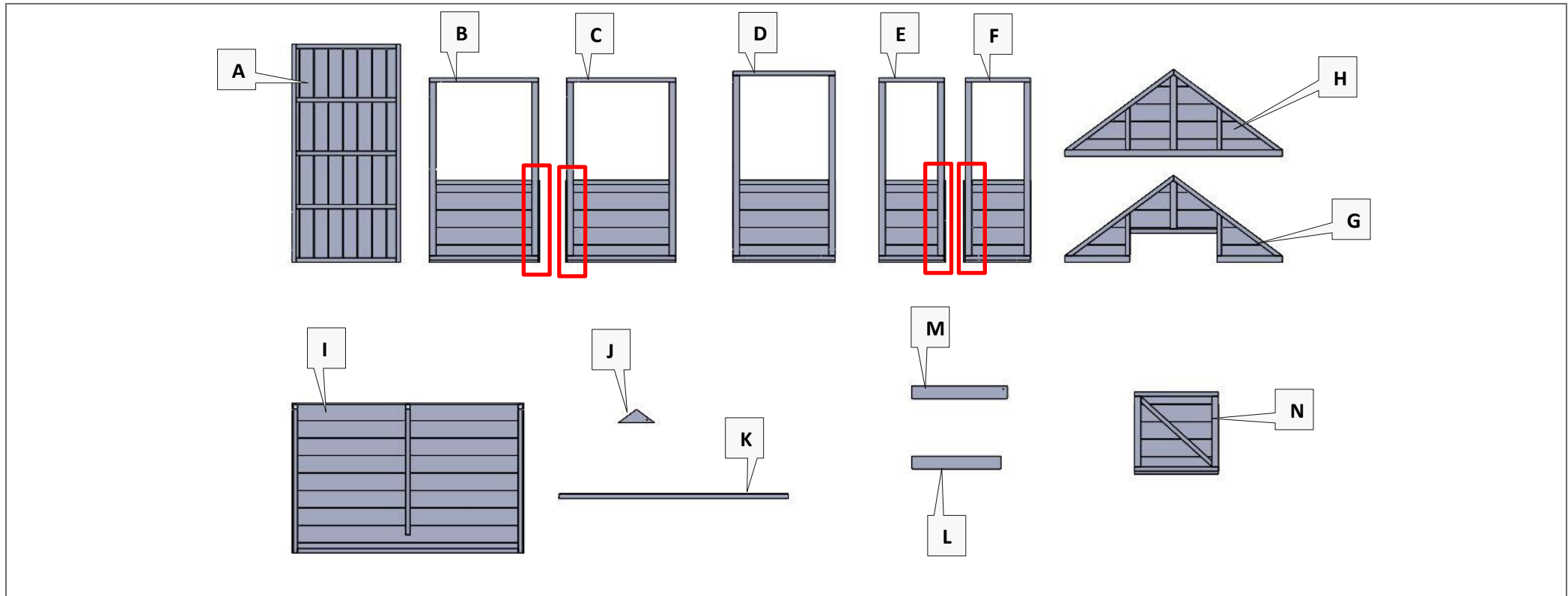


# 36642 – Open Play House

## Assembly Instructions

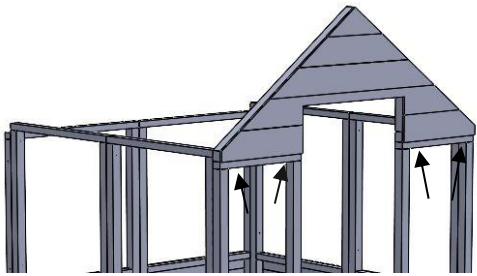
Components:		Part	Name	Qty	Part	Name	Qty	Part	Name	Qty	Tools Required
	A.	Base	2	B.	RH Back Panel	1	C.	LH Back Panel	1		Electric Drill
	D.	Side Panel	4	E.	LH Front Panel	1	F.	RH Front Panel	1		Tape Measure
	G.	Front Top Panel	1	H.	Back Top Panel	1	I.	Roof Panel	2		
	J.	Roof Apex Block	2	K.	Roof Joint Cover	1	L.	Side Ledge	4		
	M.	Back Ledge	2	N.	Door	1	O.	70mm Screws	39		
	P.	45mm Screws	59	Q.	Door Hinge	2	R.	Turn Button	1		



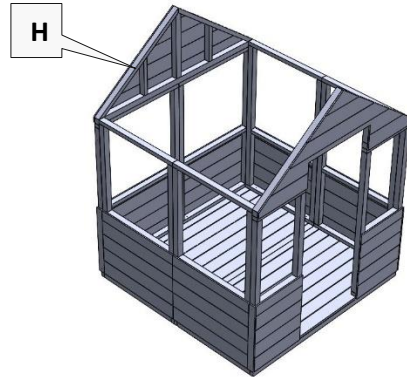
1. Check you have all the components. Two person assembly.

<p>2. Position both parts A as shown.</p>	<p>3. Fix in place using 4x 45mm screws as indicated.</p>	<p>4. Flip the base over.</p>	<p>5. Position part B as shown (note the direction the base planks run in) Fix in place using 2x 70mm screws.</p>
<p>6. Position part D as shown.</p>	<p>7. Fix in place using 5x 70mm screws as indicated (note part D should sit higher than part B)</p>	<p>8. Position part C as shown. Fix in place using 5x 70mm screws as indicated.</p>	

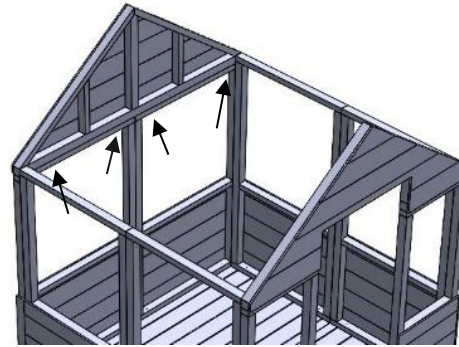
<p>9. Position part D as shown. Fix in place using 5x 70mm screws as indicated.</p>	<p>10. Position part D as shown. Fix in place using 5x 70mm screws as indicated.</p>	<p>11. Position part D as shown. Fix in place using 5x 70mm screws as indicated.</p>	<p>12. Position part E as shown.</p>
<p>13. Fix in place using 5x 70mm screws as indicated.</p>	<p>14. Position part F as shown.</p>	<p>15. Fix in place using 5x 70mm screws as indicated.</p>	<p>16. Position part G as shown.</p>



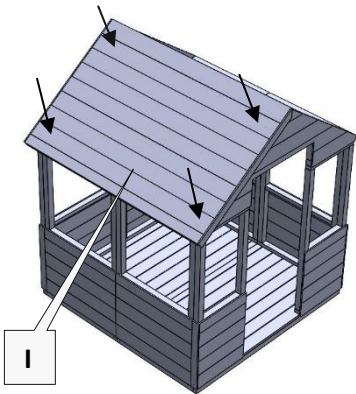
17. Fix in place using 4x 45mm screws as indicated.



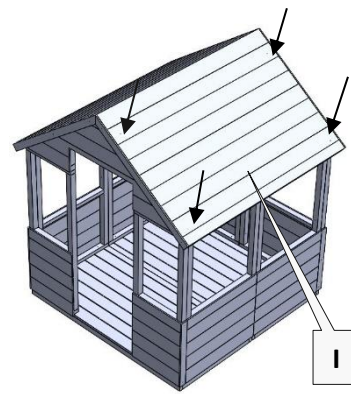
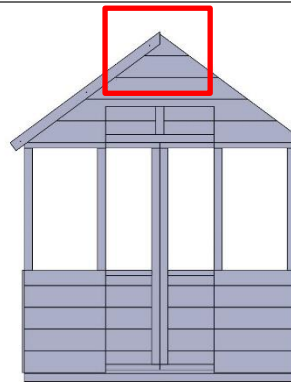
18. Position part H as shown.



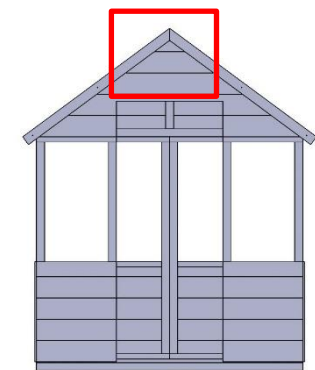
19. Fix in place using 4x 45mm screws as indicated.



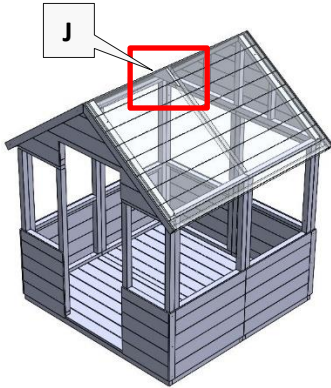
20. Position part I as shown. Fix in place using 4x 45mm screws as indicated.



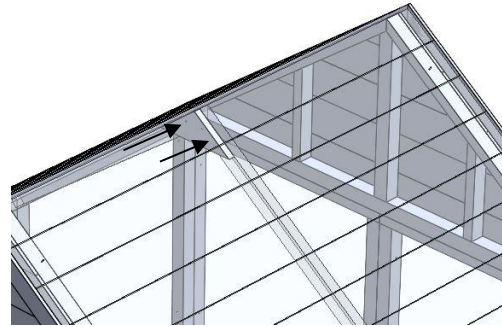
21. Position part I as shown. Fix in place using 4x 45mm screws as indicated.



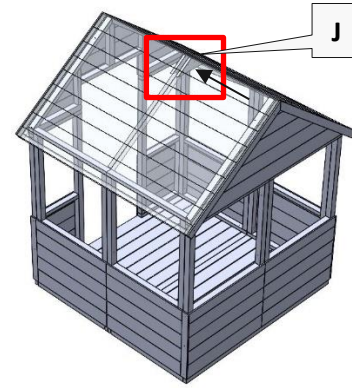




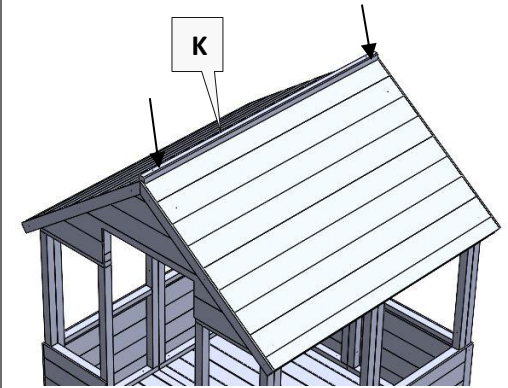
22. Position part J as shown.



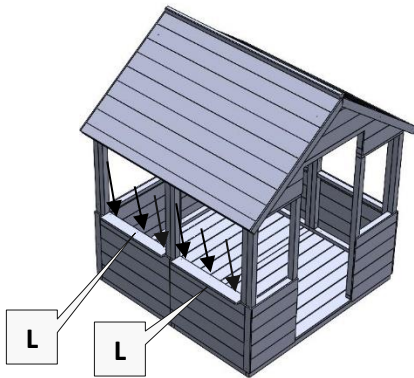
23. Fix in place using 4x 45mm screws as indicated.



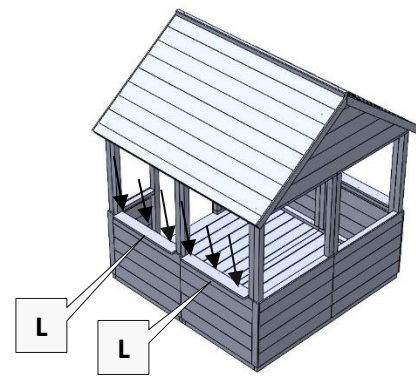
24. Repeat steps 22 & 23 to the opposite side.



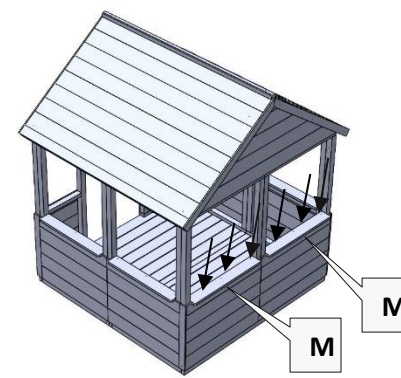
25. Position part K as shown. Fix in place using 2x 70mm screws as indicated.



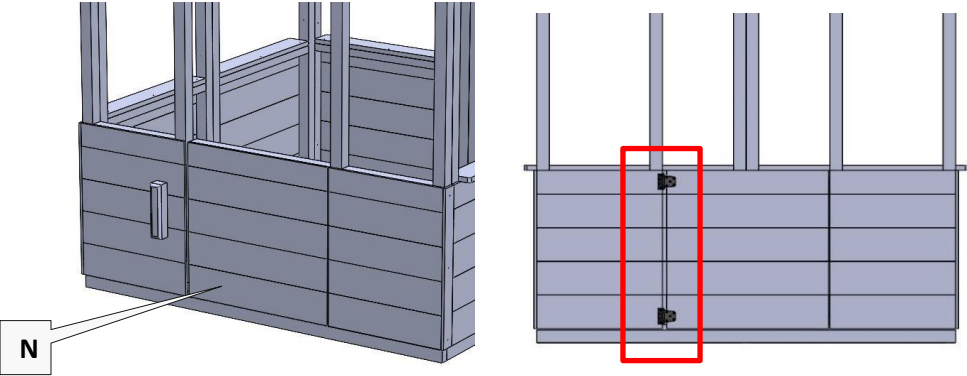
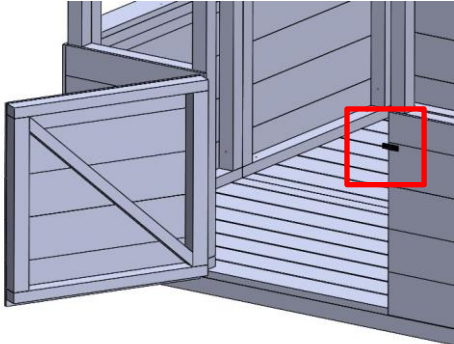

26. Position 2x part L as shown. Fix in place using 6x 45mm screws as indicated.



27. Position 2x part L as shown. Fix in place using 6x 45mm screws as indicated.



28. Position 2x part M as shown. Fix in place using 6x 45mm screws as indicated.

		
<p>29. Attach part N using the hinges provided and 12x 45mm screws. Ensure to leave at least a 15mm gap along the hinge line as indicated.</p>	<p>30. Attach the turn button as shown using 1x 45mm screw.</p>	<p>31. Done</p>

# Shed & Shelter

---

*This information is only provided as guidance. You should always satisfy yourself the product is completely safe to use in your environment with a full safety assessment.*

## Safety Information

For safety, please ensure that your shed/shelter is sited on solid, stable, flat, hard standing ground. We also recommend that you site it against a wall, building or fence and secure it in place to reduce any chance of severe weather tipping or damaging the shed/shelter.

Sheds and shelters are heavy items and must be moved and handled correctly when building and siting them. They should be moved by at least two people using best practice manual handling techniques and procedures.

To help avoid falls and damaging your shed/shelter please ensure children and adults do not climb on the shelves, clamber up the shed sides, stand on top of the shed/shelter, swing on the doors or use the shed/shelter in any way that puts themselves or others at risk of harm. Ensure its use is always well supervised.

Please note:

Sheds & shelters can be prone to changes in appearance and shape, especially in extreme weather conditions. These will not affect the structural integrity of the product, this is a natural feature.

- Site the product on hard, level ground with good drainage such as tarmac, concrete or paving.
- If you are fixing your shed or shelter to a wall or fence; please make sure that any holes made are treated, that there is a gap left at the back for water to drain off the roof and that you don't pierce the felted areas.
- Heavy items should be stored on the bottom level of the shed/shelter to keep the centre of mass low in line with good health and safety approaches to the storage of resources and manual handling.
- Ensure that the shed/shelter is not positioned under or next to trees, bushes, or foliage.
- Do not store wet items in the shed/shelter without appropriate ventilation or moisture control.
- The treatment on the shed/shelter MUST be re-applied every year. You can do this by purchasing a good non-toxic stain and applying it liberally to the outer panels of your shed.
- If the blackboard paint begins to deteriorate, you can refresh this by sanding off the spoiled paint and reapplying over this area. You can purchase this paint directly from Cosy or any respectable hardware retailer.
- For any self-assembly sheds/shelters, ensure that it is fully and correctly assembled by following the instructions that are provided with the item. Please contact Cosy if you do not receive these instructions prior to assembly as Cosy is not liable for damage caused by incorrect assembly. Small parts such as screws, rivets, nuts, bolts, and washers need regular checks to ensure they are securely in place as part of your care and maintenance routines.
- If your shed/shelter has doors, ensure that at the end of each session, the doors are completely closed with all latches used where applicable to help lessen any warping over time.