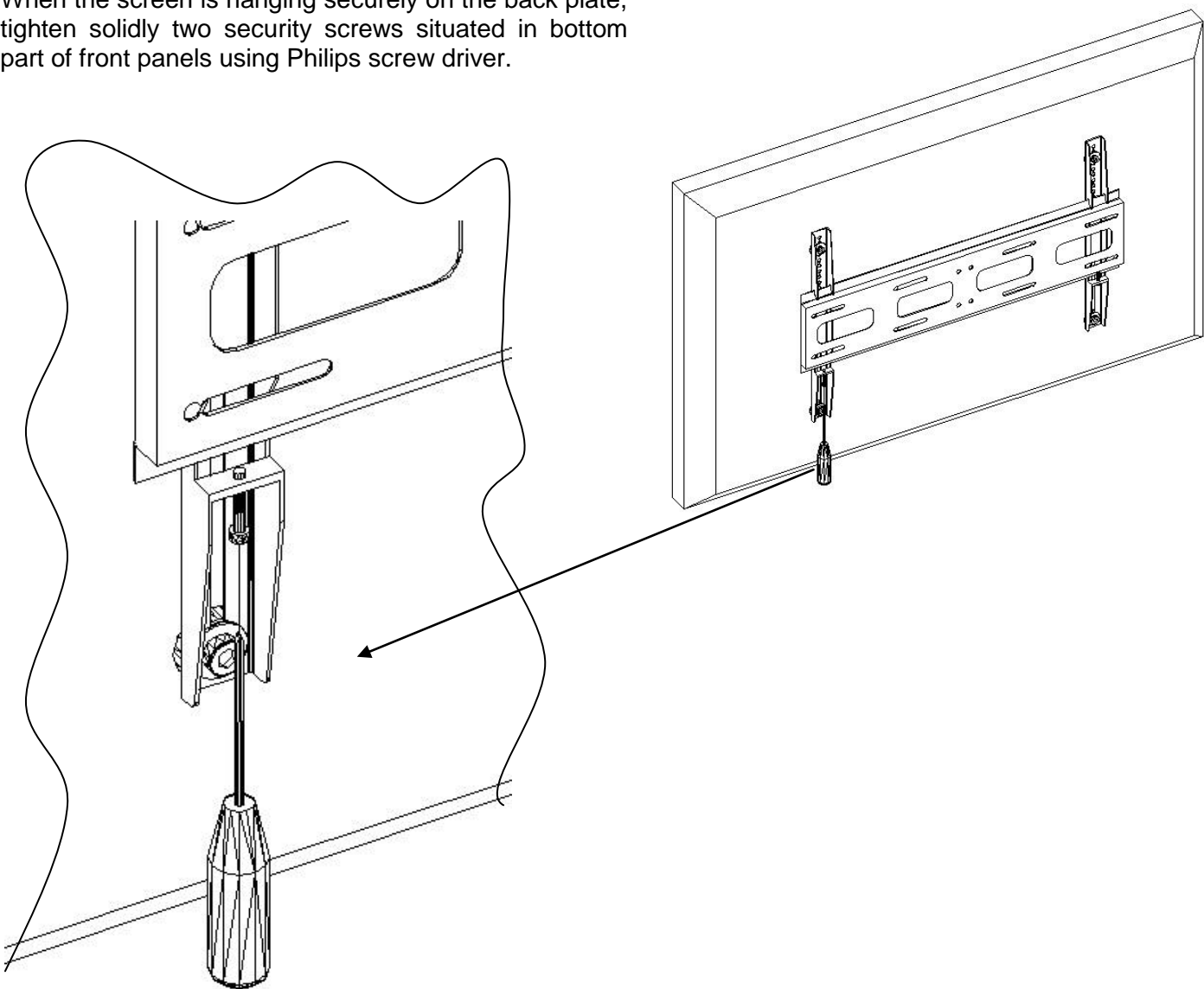


4. Security screw

When the screen is hanging securely on the back plate, tighten solidly two security screws situated in bottom part of front panels using Philips screw driver.



5. Maintenance

Before maintenance of wall mount it is necessary to turn off and unplug plasma/LCD/LED screen. Every 6 months run periodical check the condition of screw joints and in case there Wipe the screen up with dry cloth. If the wall mount is very dirty, it is necessary to remove the dirt first with neutral cleaner diluted with water, and than wipe the mount up with dry cloth. You can not use such cleaners like solvent, furniture wax as it may cause peeling off of the powdercoated metal parts.

EDBAK Sp. z o.o.
Piotrowice 186
23-107 Strzyżewice, PL
+48 81 562 81 19
www.edbak.com info@edbak.com



TWB1

Universal fixed wall mount for Plasma/LCD/LED 60"-65" Installation manual



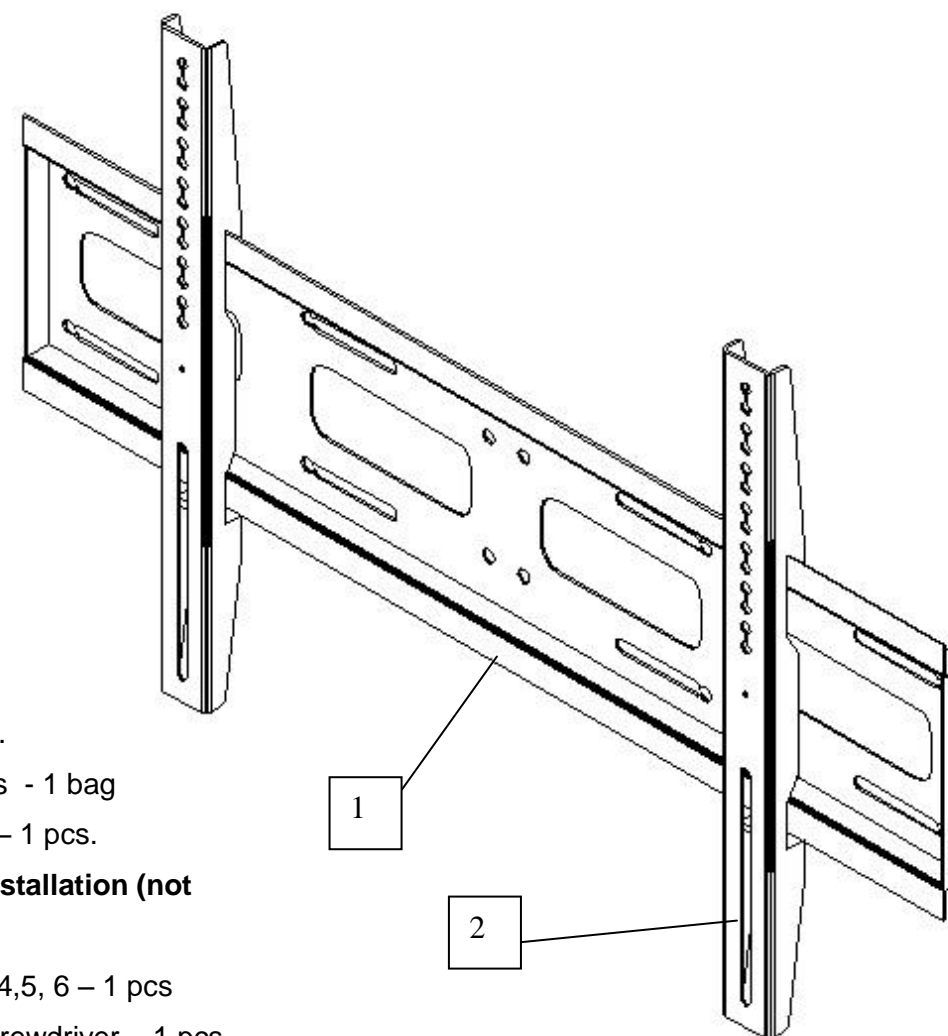
SAFETY WARNING!

Remarks regarding safety and installation

INSTRUCTIONS MUST BE ALWAYS FOLLOWED PRECISELY

1. Before installation read carefully this installation manual and instruction manual of your plasma/LCD/LED screen for proper installation.
2. Installation of this unit should be carried out by at least two qualified technicians.
3. This unit is not adapted to direct installation on the ceiling surface. Mounting to the ceiling is only possible with CM1 adapter.
4. EDBAK is not liable for any damage or injury caused by mishandling or improper installation.
5. Maximum capacity load: 80 kg
6. Mounting interface: min. 100x100mm, max 850x460mm

Universal Fixed Wall Mount TWB1



List of components:

1. Back plate – 1 pcs
2. Front plate – 2 pcs..
3. Fixings and spacers - 1 bag
4. Instruction manual – 1 pcs.

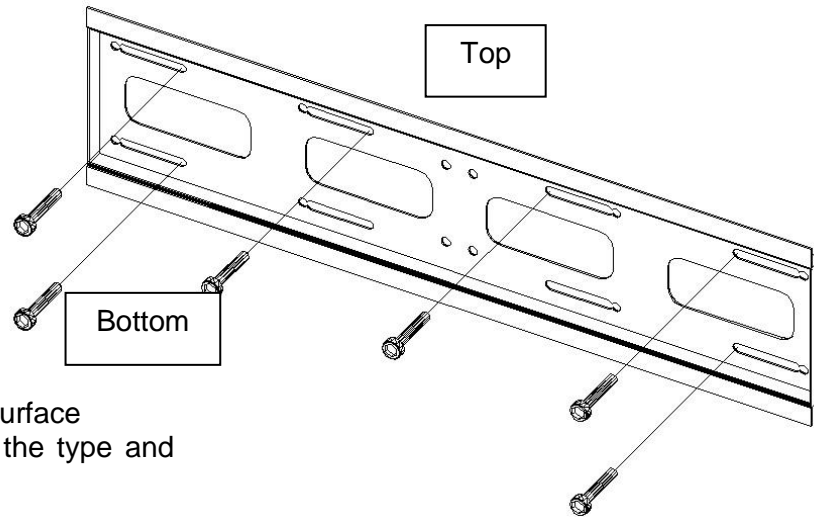
Tools required for installation (not included):

- Allen key nr 3,4,5, 6 – 1 pcs
- Philips PH2 screwdriver – 1 pcs

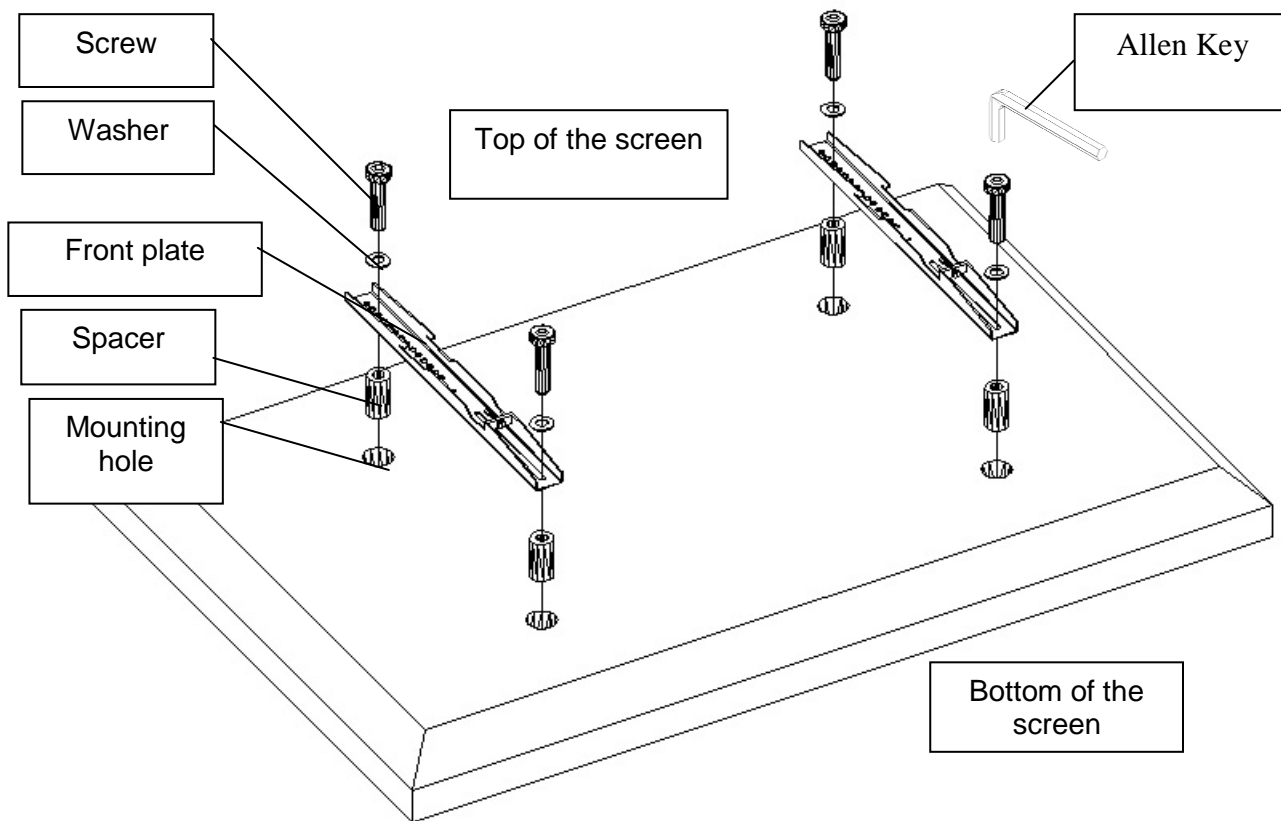
1. Mounting back plate on the wall surface

Mounting of the back plate to the wall should be carried out in desired position after prior checking of wall type and structure and according to building craft. If you have any doubt please consult a qualified builder or contractor. It is not allowed to mount a screen on the wall which structure is not durable enough to hold the specified capacity load.

Mount back plate horizontally to the wall surface using screws/bolts (not supplied) suitable to the type and structure of wall.



2. Mounting front plates to the back of plasma / LCD screen



Place plasma/LCD screen face down on soft cloth (to prevent damage) on a flat and stable surface.

Please compile all parts necessary for mounting:

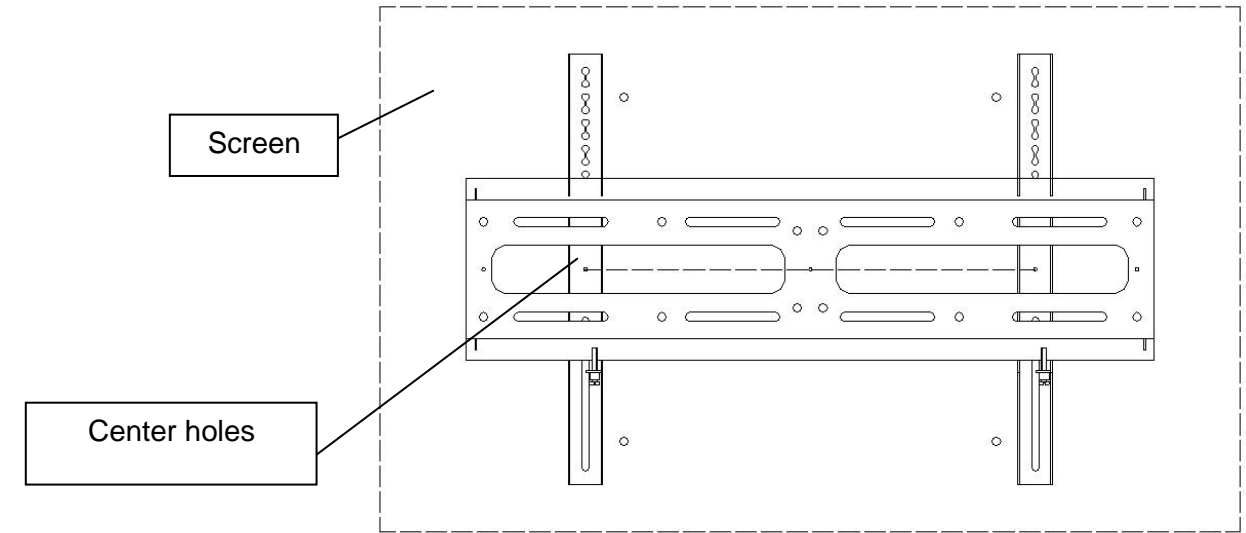
- front plate – 2 pcs
- screw – 4 pcs.
- washer – 4 pcs.
- spacer – min. 4 pcs.

In the enclosed bag there are different screws, washers and spacers fitting different types and makes of plasma/LCD/LED screens. Only ONE set of screws, washers and spacers will be necessary for mounting front plates to the back of plasma/LCD/LED screen.

Compile set of screws, washers and spacers in the following manner:

- select suitable height of spacers, in order to keep a couple millimeters distance between the back of the plasma/LCD/LED screen and front panels
- select suitable screws (length and thread), so that after assembling spacers, front panels and washers together the depth mounting pole back of the plasma/LCD/LED screen is adequate to the length of the screw thread. Screw can not be too long, because while screwing in it may cause damage to your screen.

Position front panels as centrally on the back of the screen
Tighten previously selected screws using Allen key.

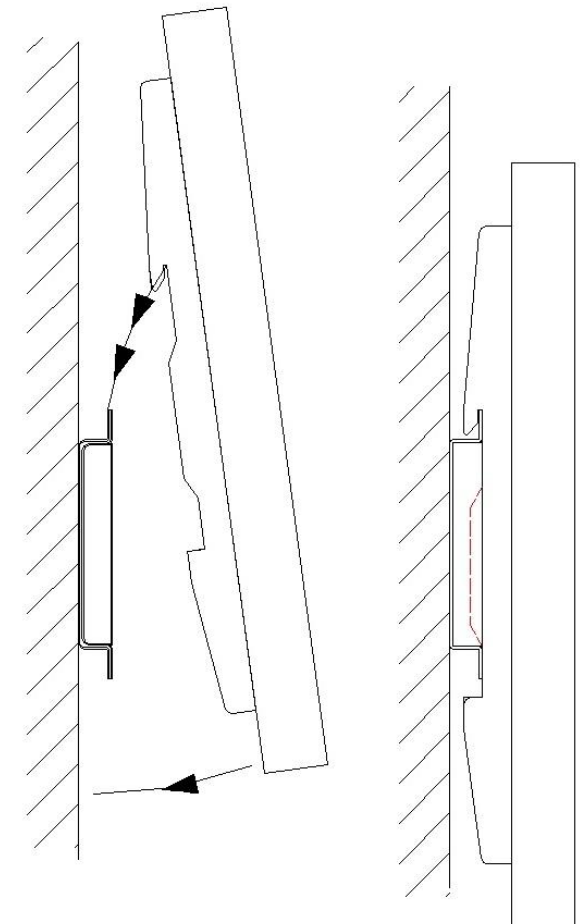
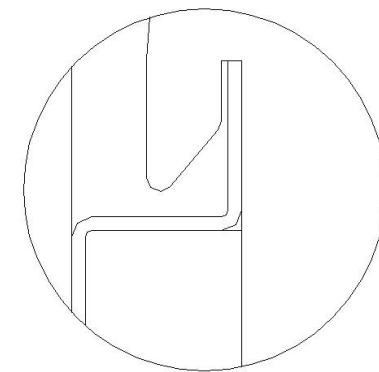


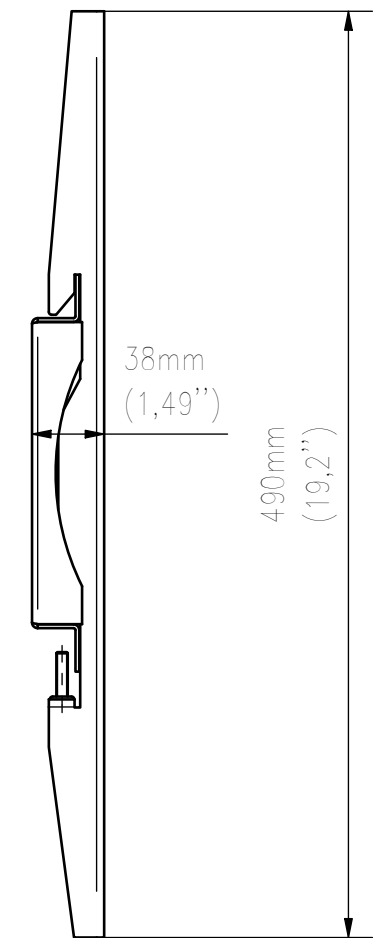
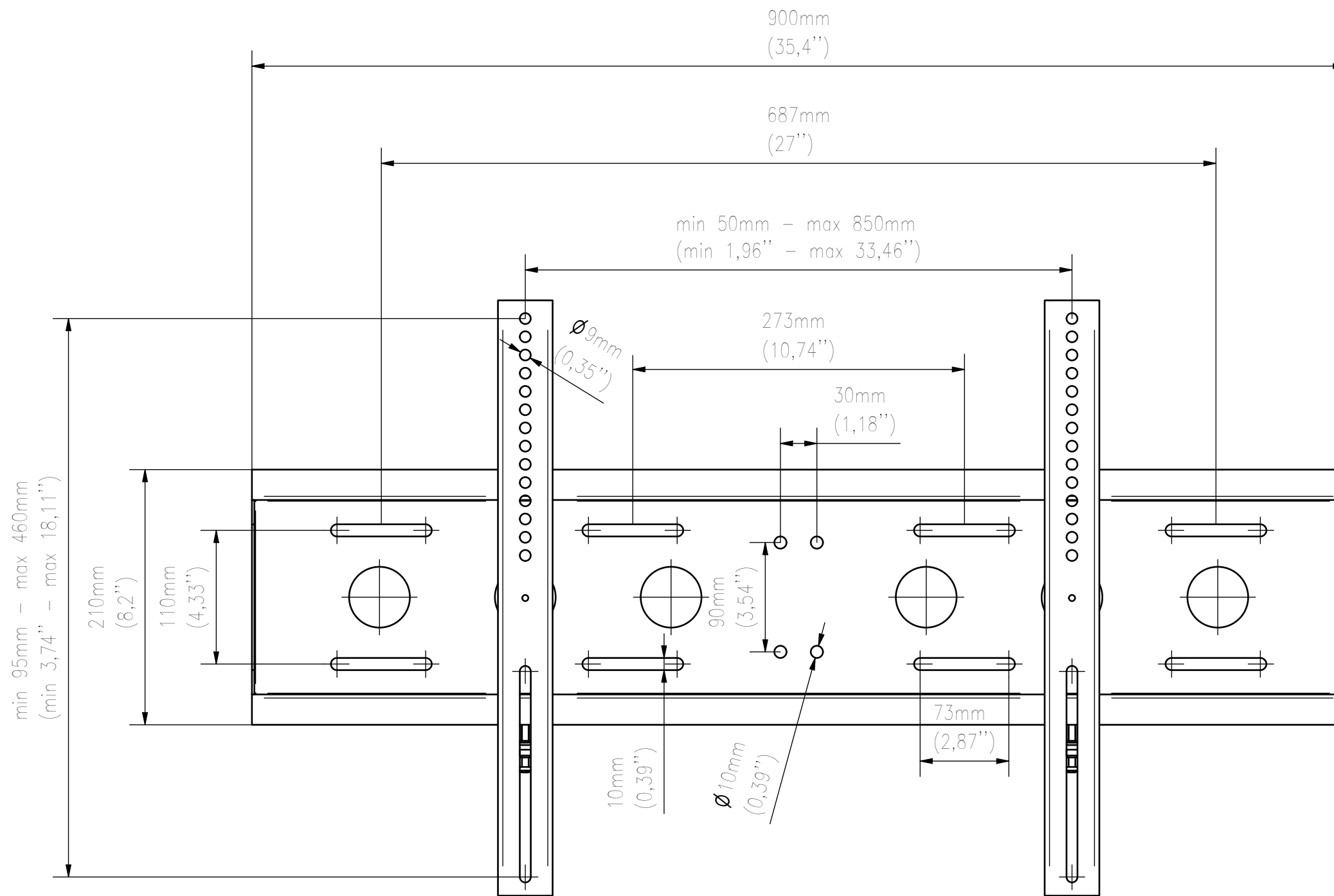
3. Mounting screen on the back plate

Please be careful while engaging plasma with the wall!!

Raise the screen in vertical position (at least two people) with front plates already assembled to the back of the screen and hang it on the back plate mounted on the wall surface, so that hooks hang on the edge of the back plate (please see the drawing).

Make sure that the hooks are hooked on the edge of the back plate.





WŁASNOŚĆ EDBAK Sp. z o.o. RYSUNEK NIE MOŻE BYĆ KOPIOWANY I UDOSTĘPNIANY OSOBOM TRZECIM BEZ UPRZEDNIEGO ZEZWOLENIA. WSZELKIE PRAWA ZASTRZEŻONE. PROPERTY OF EDBAK Sp. z o.o. (COPYRIGHT). THIS DRAWING MUST NOT BE REPRODUCED OR DISCLOSED TO THIRD PARTIES WITHOUT THE PRIOR CONSENT OF EDBAK Sp. z o.o. ALL RIGHT RESERVED.

Sheet: A3

Scale: 1 : 4

edbak
PL 23-107 Strzyżewice
Piotrowice 186 / Poland

Index No:

TWB 1

Project No:

195